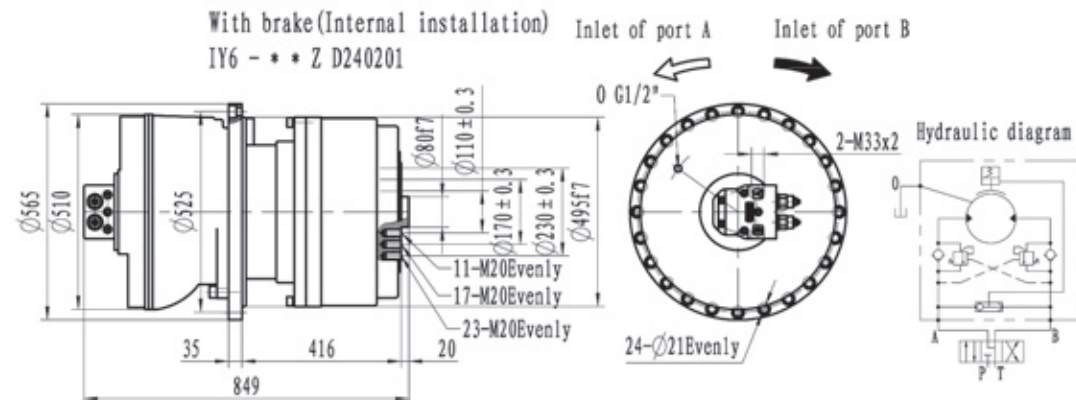
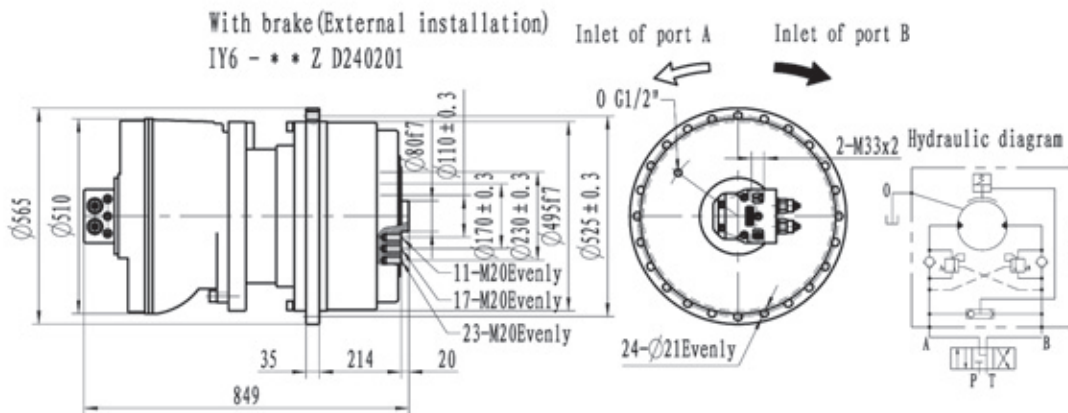
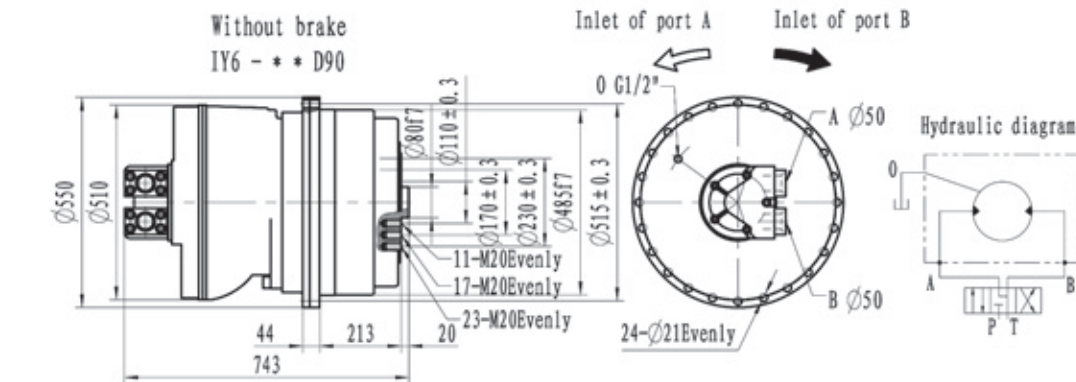


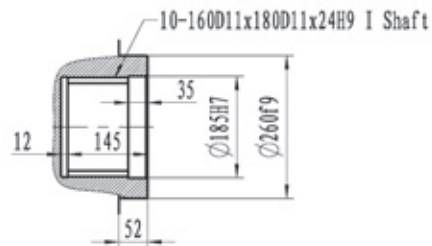
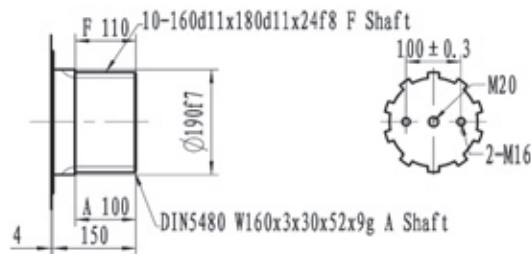
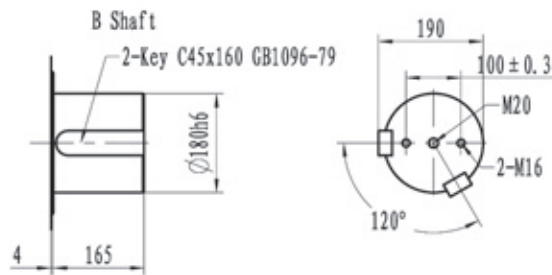
IY6 Hydraulic transmission drives series

Model	Total displacement (ml/rev)	Rated torque (N.m)		Speed(r/min)	Motor model	Planetary gearbox	Brake	Optional distributor
		16 MPa	20 MPa					
IY6-14800 ***	14889	28647	36832	0.5~32	INM6-2100	C6(i=7)	Z66	D90, D480101 D90F480*** D90F720***
IY6-17600 ***	17591	33846	43517	0.5~25	INM6-2500			
IY6-21300 ***	21287	40958	/	0.5~20	INM6-3000			

Note: Total displacement is determined by hydraulic motor displacement multiplies transmission ratio of planetary gearbox.
 Rated torque is the output torque considering pressures lose of 2MPa and transmission efficiency when the system pressure is 16Mpa or 20Mpa.
 Transmission efficiency includes mechanical and volumetric efficiency of hydraulic motor and mechanical efficiency of planetary gearbox. If the working pressure is higher than 16Mpa, please add a relief valve on the brake.



IY6 Series shaft dimensions:



Note: Please contact us if there are any requirements from customer