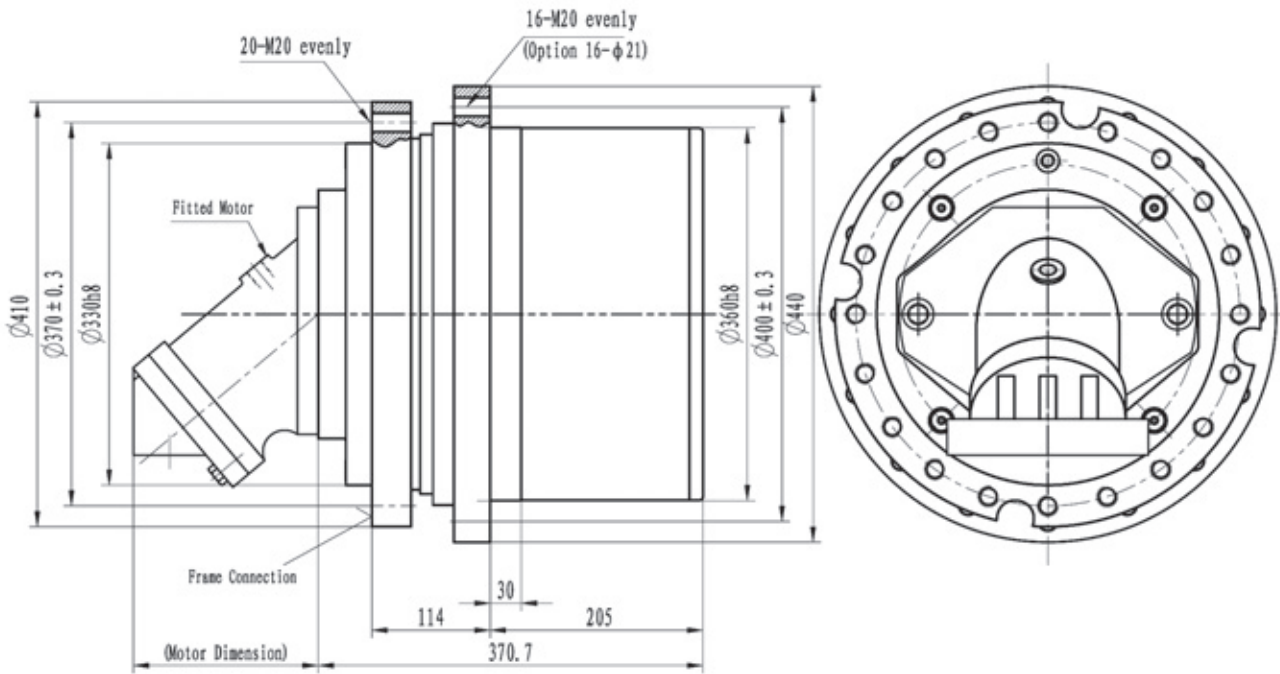


Dimensions



Technical Data

Output Torque T_{max} Nm	Ratio i	Hydraulic Motor	Max. Input Speed r/min	Braking Torque $T_{br max}$ Nm	Brake Press. MPa
40000	31.41 38.97 45.97	A2FE80 A2FE90 A2FE107 A2FE125	4000	450-800	1.8-5

- Gearbox input direction is contra to the output direction.
- Allowed output speed (No indicated in catalog) is subject to variation with actual application.
- Differently sized units and additional design variants can be furnished if so requested.