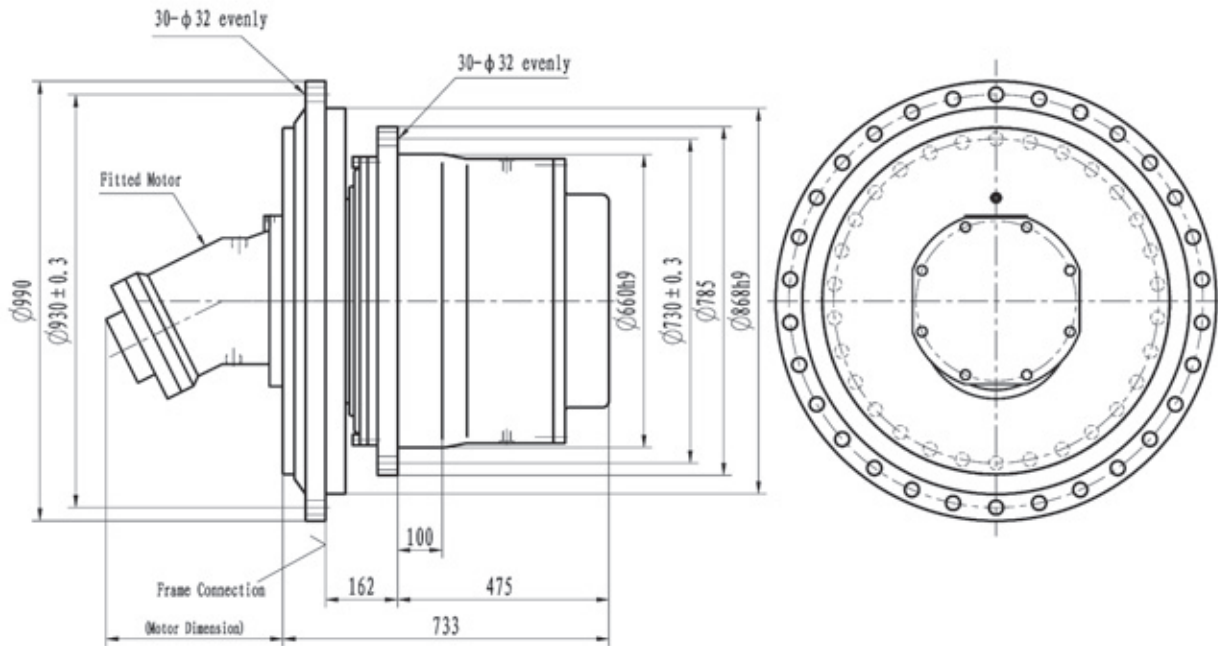


Dimensions



Technical Data

Output Torque T_{max} Nm	Ratio i			Hydraulic Motor		Max. Input Speed r/min	Braking Torque $T_{br max}$ Nm	Brake Press. MPa
330000	88.3	105.1	114	A2FE125	A6VE107	4000	800-1200	1.8-5
	169.2	251.8	302.5	A2FE160	A6VE160			
				A2FE180	A6VE250			
				A2FE250	A6V250			
				A2FMS00				
451.6	555.33							

· Gearbox input direction is contra to the output direction.
 · Allowed output speed(No indicated in catalog)is subject to variation with actual application.
 · Differently sized units and additional design variants can be furnished if so requested.