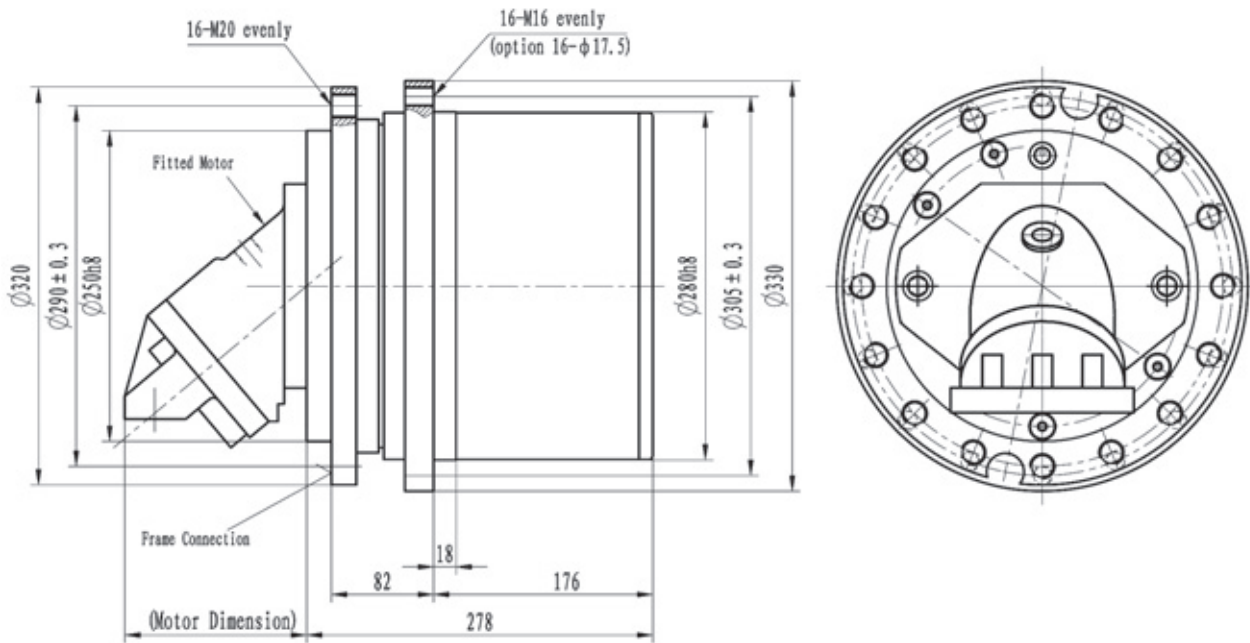


Dimensions



Technical Data

Output Torque T_{max} Nm	Ratio i	Hydraulic Motor		Max. Input Speed r/min	Braking Torque $T_{Br max}$ Nm	Brake Press. MPa
13000	27.74 31.84	A2FE45	A6VE28	4000	220-350	1.8-5
	37.7 46.77 53.7	A2FE56	A6VE55			
		A2FE63	A10VE45			

· Gearbox input direction is contra to the output direction.
 · Allowed output speed(No indicated in catalog)is subject to variation with actual appliction.
 · Differently sized units and additional design variants can be furnished if so requested.