

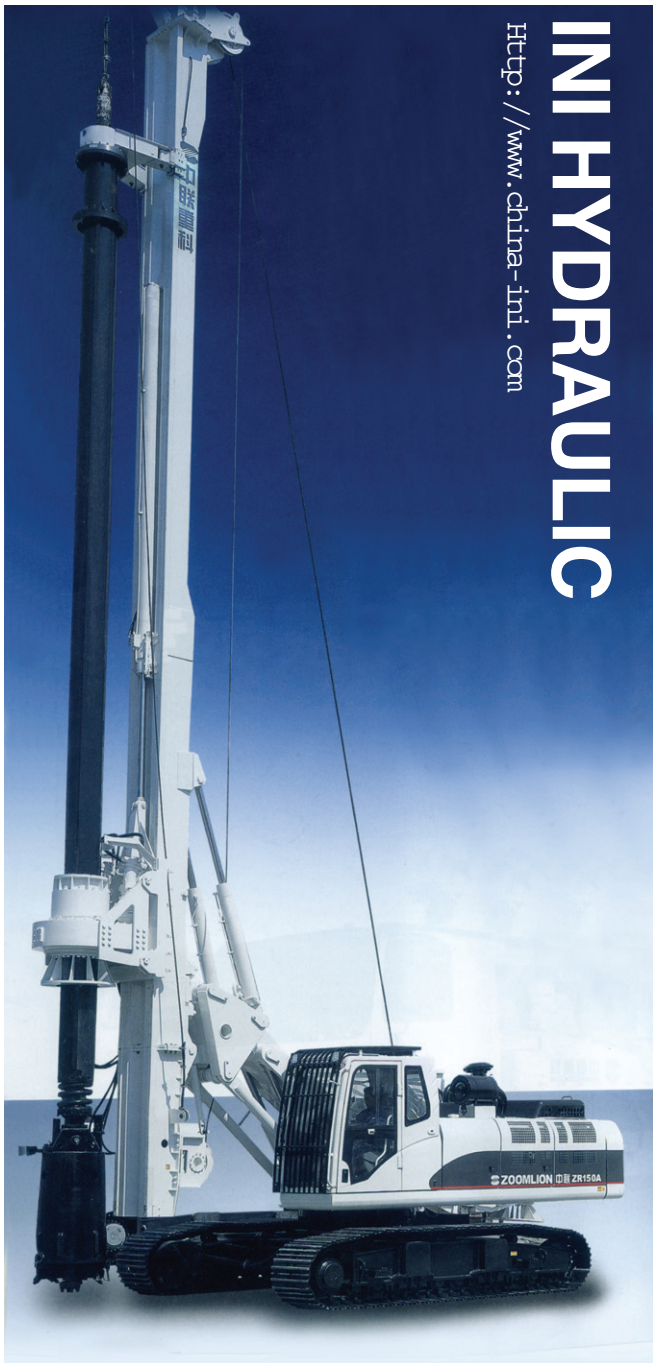
ini[®] NINGBO DAGANG INI
HYDRAULIC CO.,LTD.



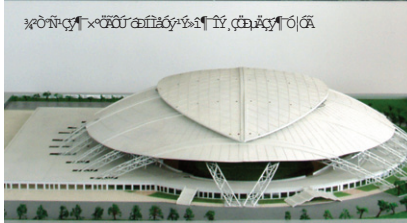
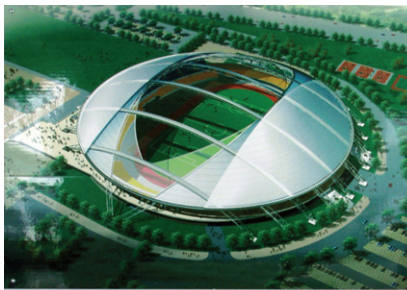
>>> [Http: //www.china-ini.com](http://www.china-ini.com)

2010 Catalogue

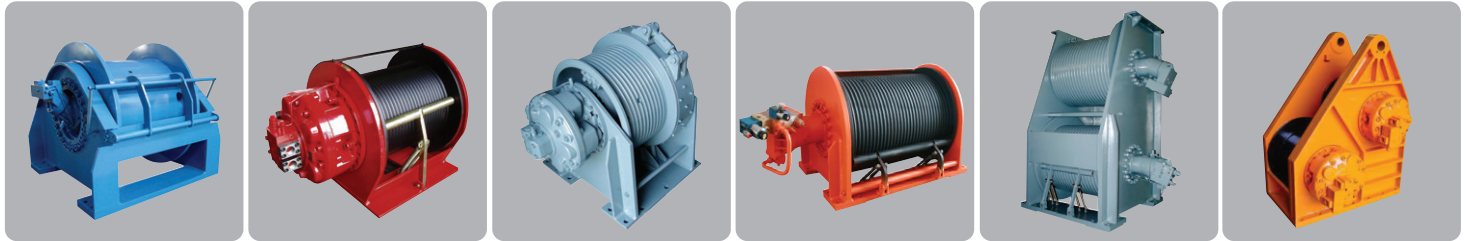
Product Shows & Applications



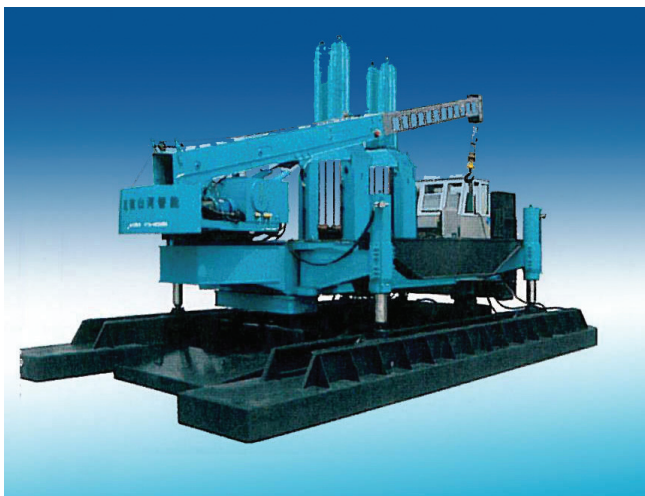
INI HYDRAULIC
[Http://www.china-ini.com](http://www.china-ini.com)



Product Shows & Applications



INI HYDRAULIC
[Http://www.china-ini.com](http://www.china-ini.com)





Brief Introduction



NINGBO DAGANG INI HYDRAULIC CO., LTD is situated in a state-level economic and technological development zone of BEILUN district, NINGBO. The factory covers almost 40,000 m², with 38,000 m² building area. The registered capital is 6,500,000 USD, and the total investment is 15,000,000 USD. Currently, the company is staffed with 400 employees, 20% among whom are professional technicians. The company has a strong R&D team, led by the general manager—a professorate senior engineer, who takes special allowance from State Council. The team also includes one doctor, two masters, senior engineers, engineers and engineer trainees, and two retired German experts from ZF GROUP as honor employees. They will come to the factory to help and give advices once a year. Up to now, the company owns eight invention patents and thirty practical innovation and figure patents. Several other patents are under reviewing. The company is specialized in manufacturing of electro-hydraulic proportional valves, hydraulic motors, hydrostatic drives, hydraulic winches, planetary gearboxes, high accuracy rotary flow dividers and the whole set of hydraulic system. These patent products are widely used in engineering machinery, petroleum, mining industry, geological exploration, ships, metallurgy, light industry, agriculture, landscape, environment and military industry. Now we are stepping into the international market, and our products are being exported to Southeast Asia, Middle East, Germany, USA, Netherlands, Turkey, India, Russia, Korea and other countries and regions around the world.

The company has more than 150 advanced manufacturing equipment, half of which were imported. 60% of all the machines are CNC, including three-dimension coordinate measuring machine, universal gear measuring machine, digital ultrasonic inspection machine, and universal tool microscope. A static hydrostatic drives lab and 12 factory test stands were established for product testing. The company passed ISO 9001 quality system certification, CCS certification and CE certification. The annual sales volume reaches 250 million RMB, with a production capacity of over 300 million RMB. The company was appraised as a state-level high-tech enterprise and is a patent pioneer enterprise.

IGT Hydrostatic Drive Series

1. Brief Introduction

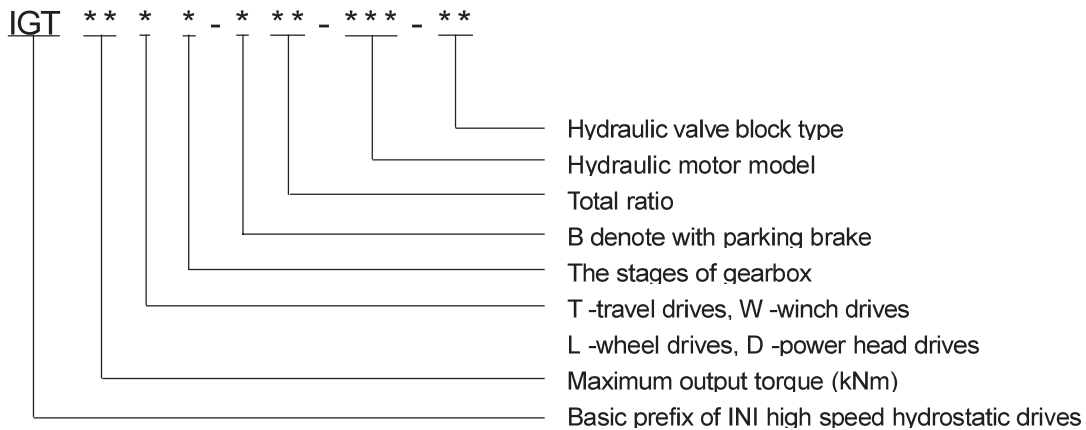
The IGT hydrostatic drive series consist of planetary gearbox, axial piston hydraulic motor, wet type multi-disc brake and valve block. By adopting our patented technology and design experience, our product feature high total efficiency, compact design, and wide speed control range. The series can be directly installed on a wheel or track of a mobile vehicle, and also can be used for hydraulic winches and hydraulic capstans. And the drives can be used in coal road header or milling machine, and other mobile machinery.

The Dimensions and technical performance of the drives conform to the Rexroth standard type, and part products conform to Brevini, Nebtesco, Nachi and Sauer Danfoss. So our drives can also be used for replacement.

The drives described in this catalog are of the standard type. Other design variants with different ratio, dimensions and power characteristics are available if so requested for specific applications.

The drives have been widely applied in main and auxiliary winch, crawler rotary drill rigs or wheel and crawler cranes, track and cutter head drives of milling machine or road header, road roller, track vehicles, aerial platform, self-propel drill rigs and marine cranes. The drives not only widely have been used by domestic customer such as SANY, XCMG, ZOOMLION, but also have been exported to Southeast Asia, Middle East, India, South Korea, Netherlands, Germany and Russia and so on.

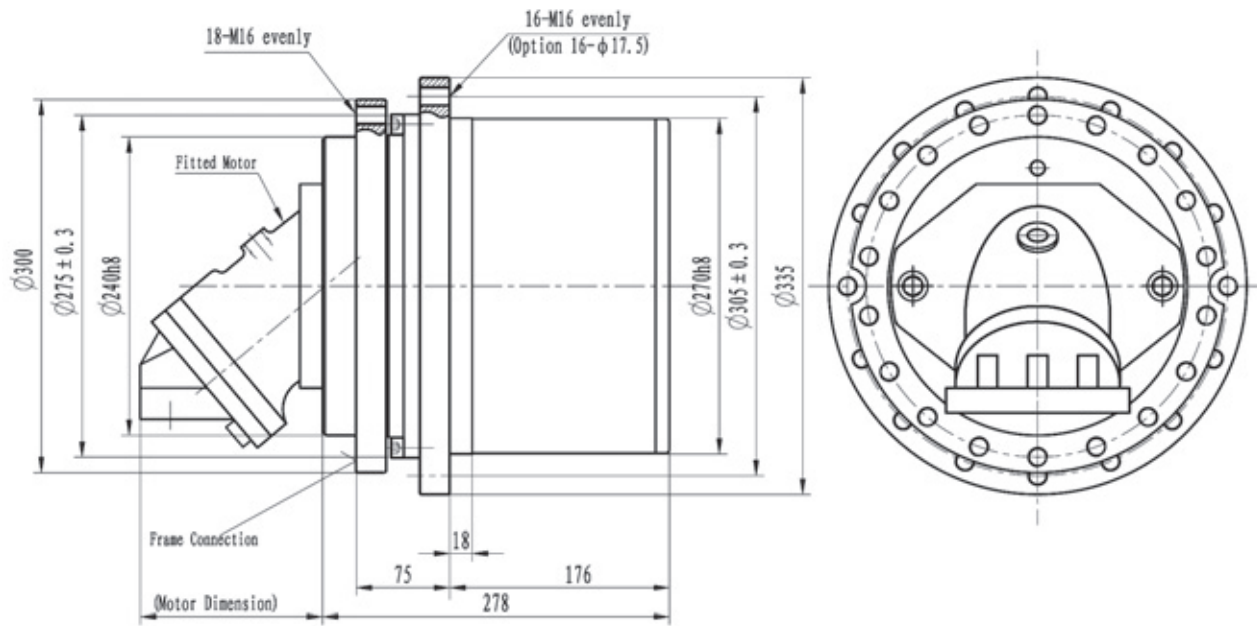
2. Model Options



3. Options Example

IGT17T2-B48-A2FE56/6.1WVZL10-F120111P represents that the drive has maximum output torque of 17kNm, two stages planetary gearbox with a total ratio of 48, fitted with a multi-disc parking brake, an axial piston hydraulic motor A2FE56/6.1WVZL10 and a valve block of F120111P.

Dimensions

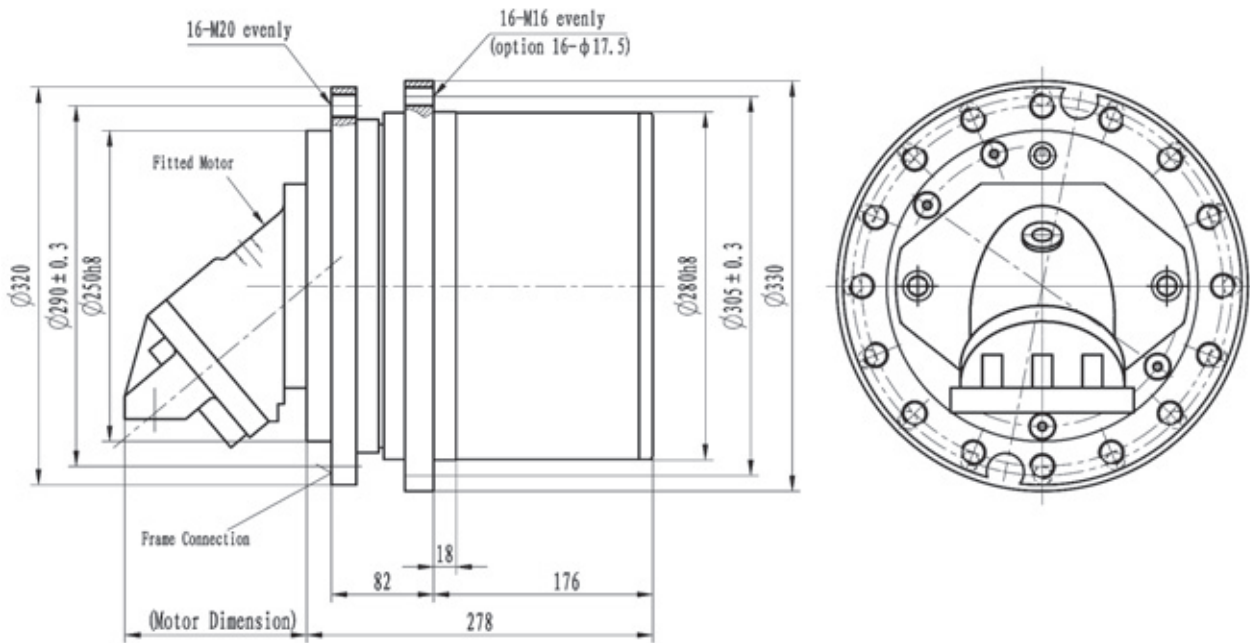


Technical Data

Output Torque T_{max} Nm	Ratio i	Hydraulic Motor	Max. Input Speed r/min	Braking Torque $T_{br max}$ Nm	Brake Press. MPa	
13000	21.57 25 30 38	A2FE45 A2FE56 A2FE63	A6VE28 A6VE55 A10VE45	4000	220-350	1.8-5

- Gearbox input direction is contra to the output direction.
- Allowed output speed (No indicated in catalog) is subject to variation with actual application.
- Differently sized units and additional design variants can be furnished if so requested.

Dimensions

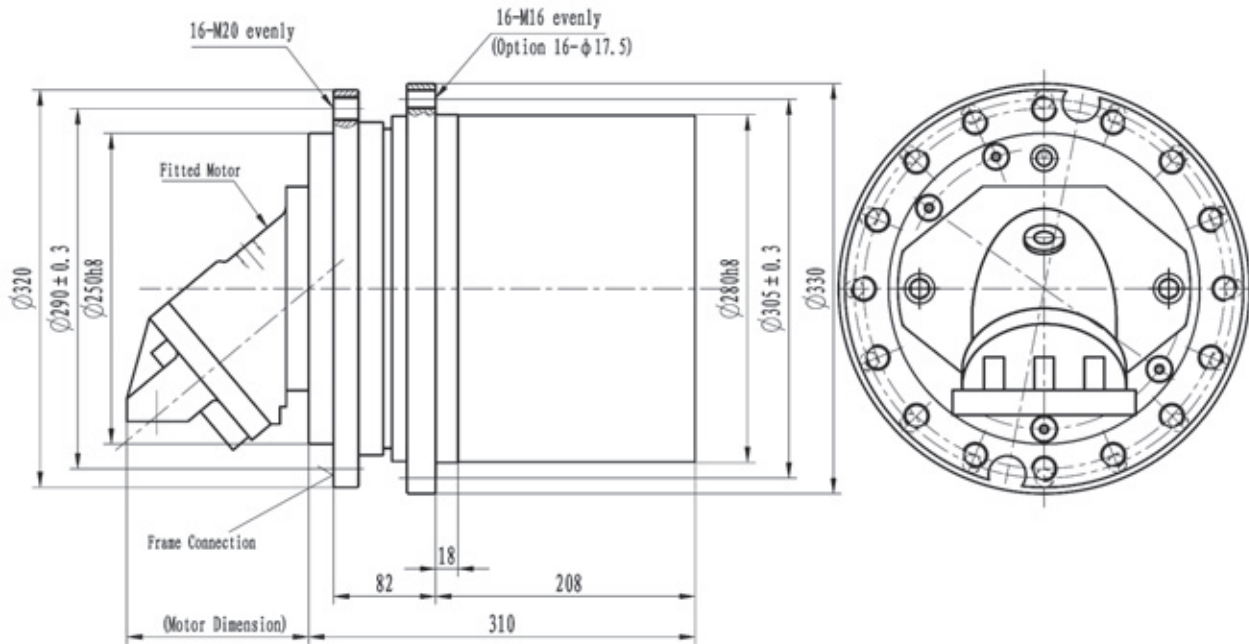


Technical Data

Output Torque T_{max} Nm	Ratio i	Hydraulic Motor		Max. Input Speed r/min	Braking Torque $T_{Br max}$ Nm	Brake Press. MPa
13000	27.74 31.84	A2FE45	A6VE28	4000	220-350	1.8-5
	37.7 46.77 53.7	A2FE56	A6VE55			
		A2FE63	A10VE45			

· Gearbox input direction is contra to the output direction.
 · Allowed output speed(No indicated in catalog)is subject to variation with actual appliction.
 · Differently sized units and additional design variants can be furnished if so requested.

Dimensions

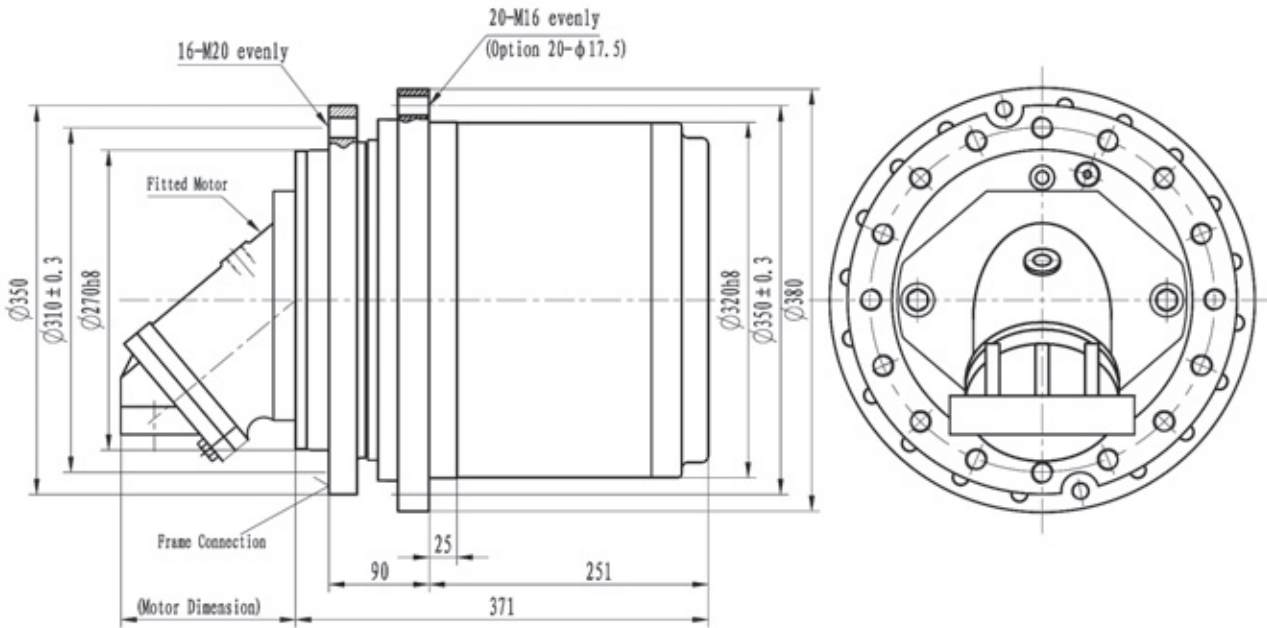


Technical Data

Output Torque T_{max} Nm	Ratio i			Hydraulic Motor		Max. Input Speed r/min	Braking Torque $T_{Br. max.}$ Nm	Brake Press. MPa
17000	63.4	69.84	78.2	A2FE45	A6VE28	4000	220-450	1.8-5
	89.51	105.68	130.66	A2FE56	A6VE55			
	143.5	169.31	209.2	A2FE63	A10VE45			

· Gearbox input direction is contra to the output direction.
 · Allowed output speed (No indicated in catalog) is subject to variation with actual application.
 · Differently sized units and additional design variants can be furnished if so requested.

Dimensions

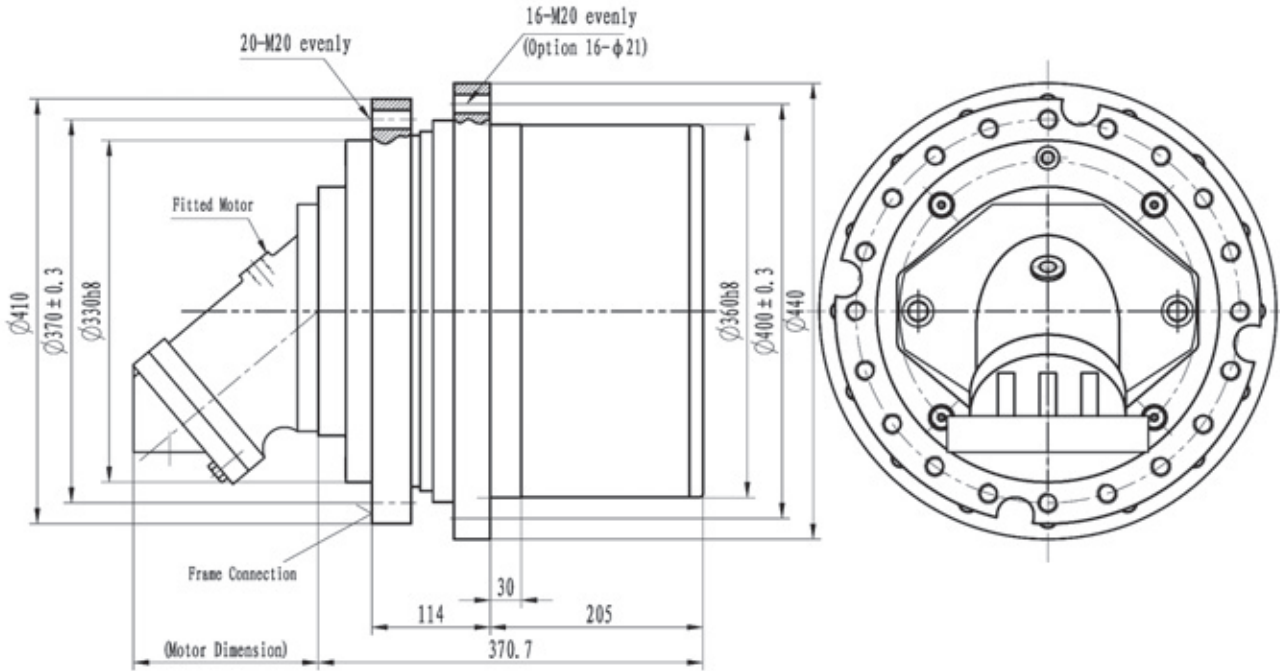


Technical Data

Output Torque T_{max} Nm	Ratio i			Hydraulic Motor		Max. Input Speed r/min	Braking Torque $T_{Br max}$ Nm	Brake Press. MPa
36000	67.75	78	92.1	A2FE56	A6VE55 A6VE80	4000	400-750	1.8-5
	106	116.8	133.7	A2FE63				
	143.8	158.6	181.4	A2FE80				
				A2FE90				

- Gearbox input direction is contra to the output direction.
- Allowed output speed (No indicated in catalog) is subject to variation with actual application.
- Differently sized units and additional design variants can be furnished if so requested.

Dimensions

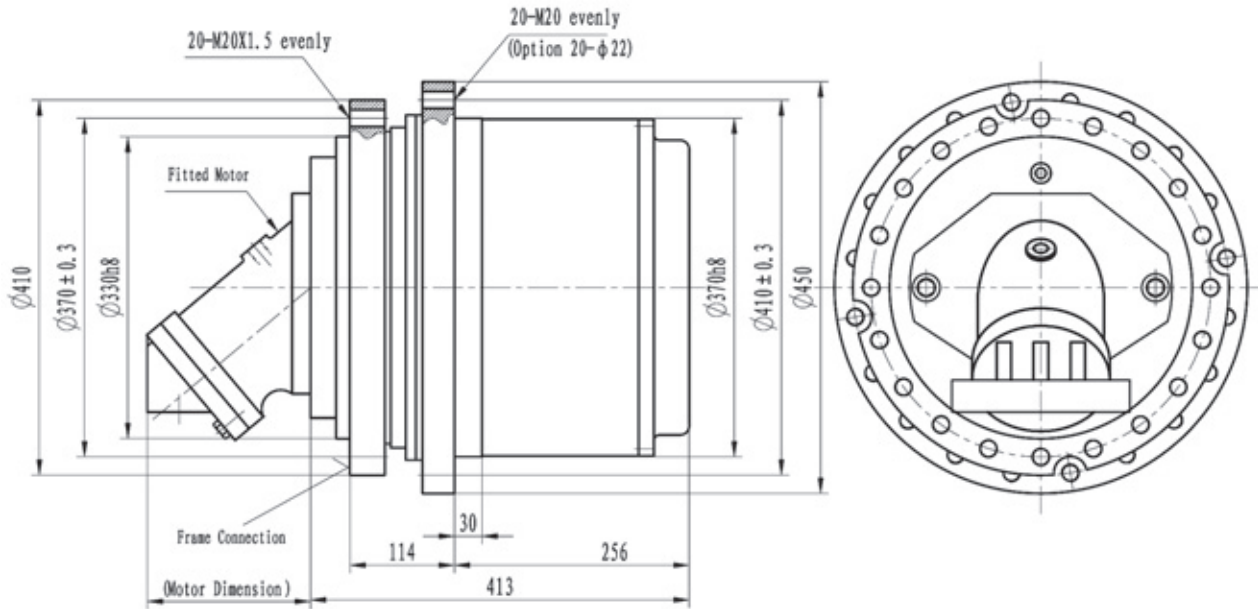


Technical Data

Output Torque T_{max} Nm	Ratio i	Hydraulic Motor		Max. Input Speed r/min	Braking Torque $T_{br max}$ Nm	Brake Press. MPa
40000	31.41 38.97 45.97	A2FE80 A2FE90 A2FE107 A2FE125	A6VE80 A6VE107	4000	450-800	1.8-5

- Gearbox input direction is contra to the output direction.
- Allowed output speed (No indicated in catalog) is subject to variation with actual application.
- Differently sized units and additional design variants can be furnished if so requested.

Dimensions

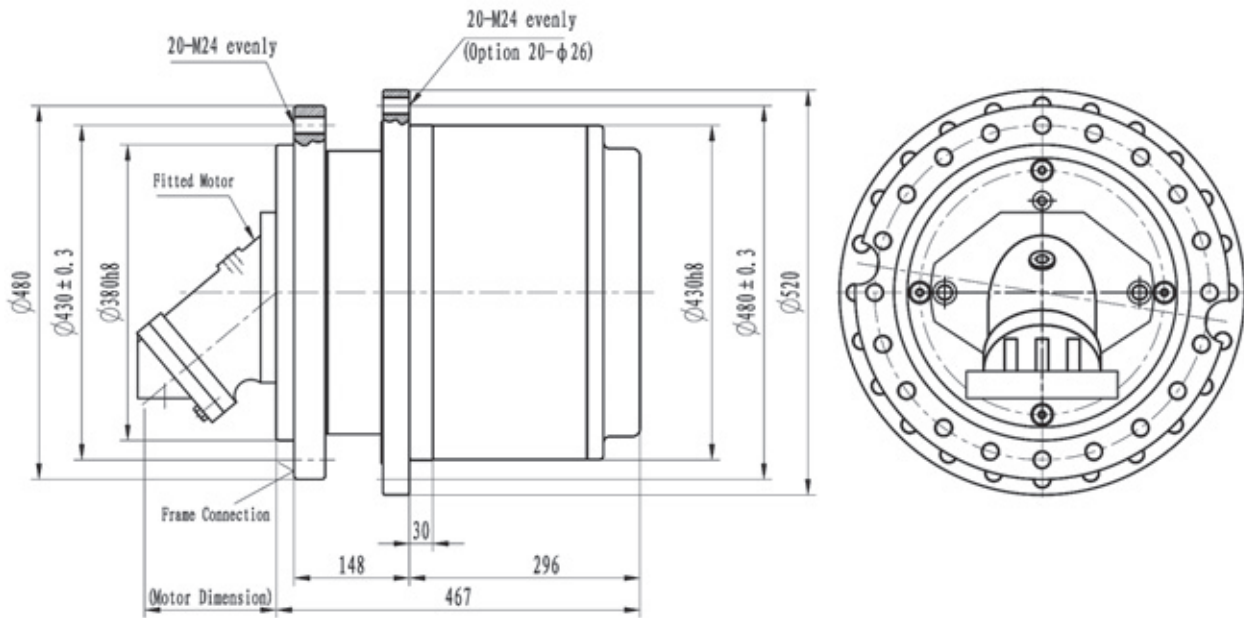


Technical Data

Output Torque T_{max} Nm	Ratio i	Hydraulic Motor	Max. Input Speed r/min	Braking Torque $T_{br max}$ Nm	Brake Press. MPa
60000	86 95 104.6	A2FE80	4000	450-800	1.8-5
	114.2 133.4 171.8	A2FE90			
		A2FE107			
		A2FE125			
		A6VE80			
		A6VE107			

· Gearbox input direction is contra to the output direction.
 · Allowed output speed (No indicated in catalog) is subject to variation with actual application.
 · Differently sized units and additional design variants can be furnished if so requested.

Dimensions

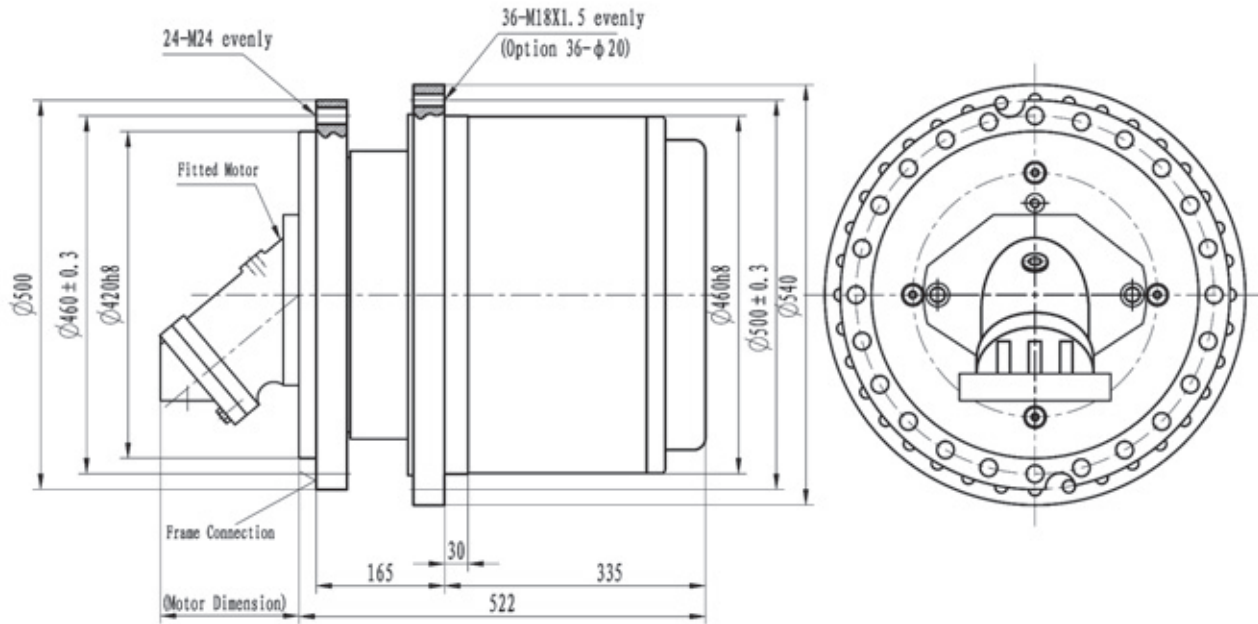


Technical Data

Output Torque T_{max} Nm	Ratio i			Hydraulic Motor		Max. Input Speed r/min	Braking Torque $T_{Br max}$ Nm	Brake Press. MPa
80000	76.6	85.4	98	A2FE107	A6VE107 A6VE160	4000	600-1100	1.8-5
	115.6	142.7	170.1	A2FE125				
	187.2	211.5		A2FE160				
				A2FE180				

- Gearbox input direction is contra to the output direction.
- Allowed output speed (No indicated in catalog) is subject to variation with actual application.
- Differently sized units and additional design variants can be furnished if so requested.

Dimensions

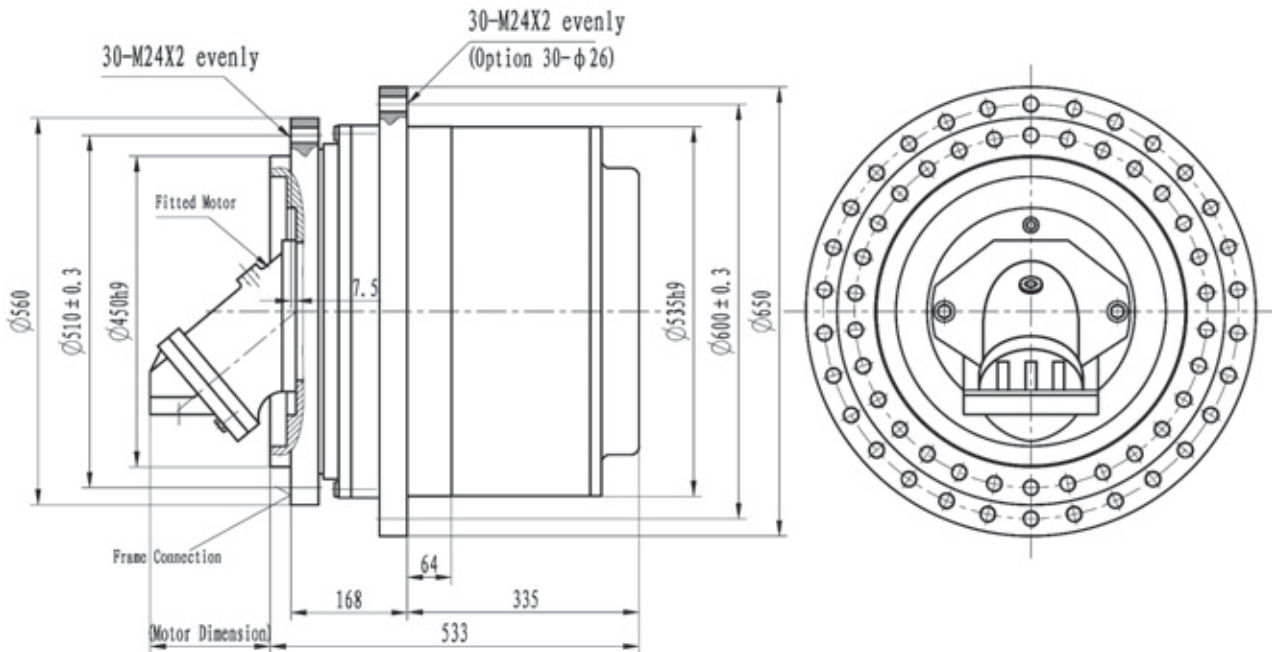


Technical Data

Output Torque T_{max} Nm	Ratio i				Hydraulic Motor	Max. Input Speed r/min	Braking Torque $T_{Br max}$ Nm	Brake Press. MPa
110000	78.1	87.5	97.4		A2FE107	4000	800-1200	1.8-5
	103.4	115	122.8		A2FE125			
	134.3	146.6	156.9		A2FE160			
	173	184.6	190.4	202	A2FE180			

· Gearbox input direction is contra to the output direction.
 · Allowed output speed (No indicated in catalog) is subject to variation with actual application.
 · Differently sized units and additional design variants can be furnished if so requested.

Dimensions

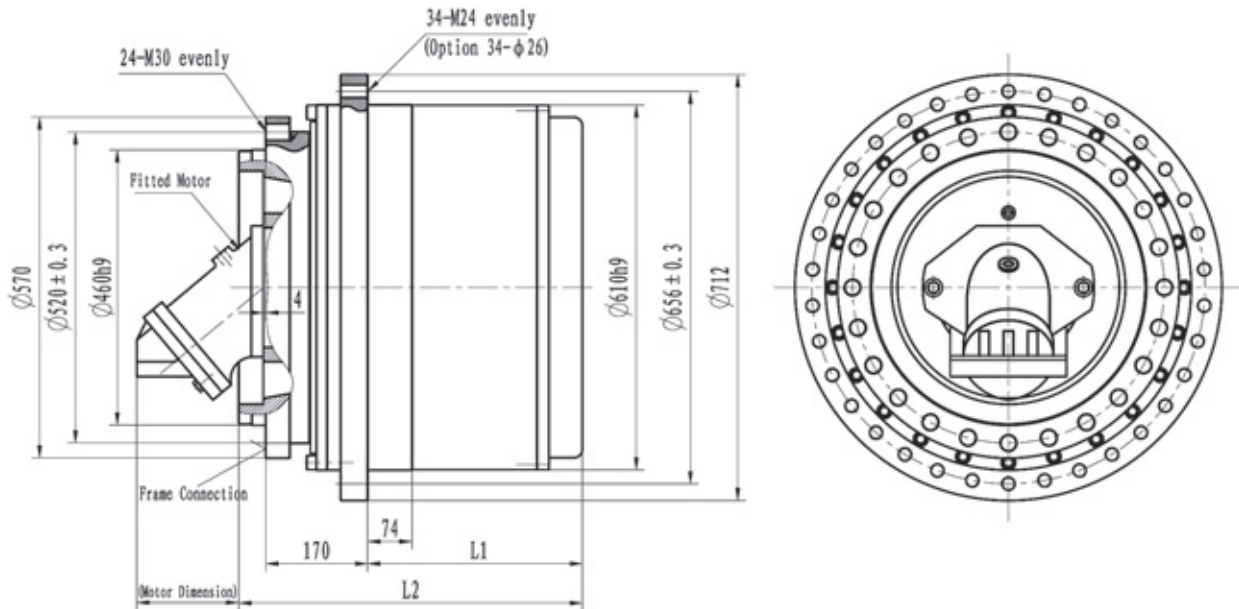


Technical Data

Output Torque T_{max} Nm	Ratio i			Hydraulic Motor		Max. Input Speed r/min	Braking Torque $T_{br max}$ Nm	Brake Press. MPa
160000	98.3	161.8	185	A2FE107	A6VE107 A6VE160	4000	800-1200	1.8-5
				A2FE125				
				A2FE160				
				A2FE180				

- Gearbox input direction is contra to the output direction.
- Allowed output speed (No indicated in catalog) is subject to variation with actual application.
- Differently sized units and additional design variants can be furnished if so requested.

Dimensions



Technical Data

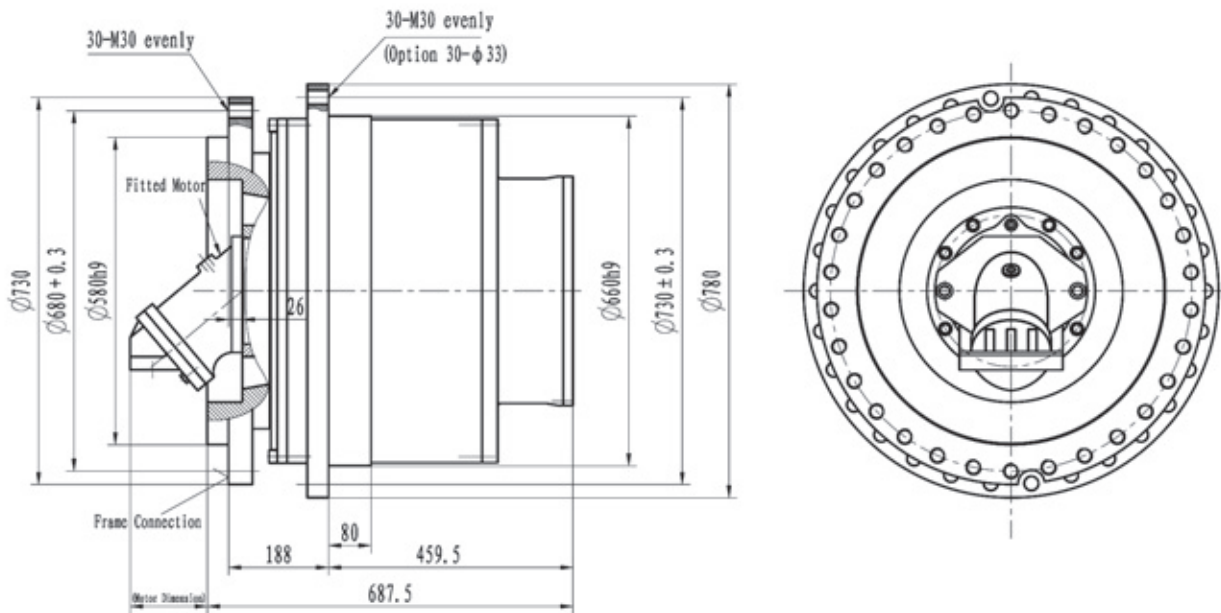
Output Torque T _{max} Nm	Ratio i	Hydraulic Motor	Max. Input Speed r/min	Braking Torque T _{Br max.} Nm	Brake Press. MPa	
220000	188.9 ⁽³⁾ 245.9 ⁽³⁾ 293 ⁽³⁾	A2FE107	4000	800-1200	1.8-5	
		A2FE125				A6VE107
		A2FE160				A6VE160
	313 ⁽³⁾ 695 ⁽⁴⁾	A2FE180				

- Gearbox input direction is contra to the output direction.
- Allowed output speed (No indicated in catalog) is subject to variation with actual application.
- Differently sized units and additional design variants can be furnished if so requested.

(3) Three stages gearbox, L1=358 L2=573

(4) Four stages gearbox, L1=448 L2=663

Dimensions

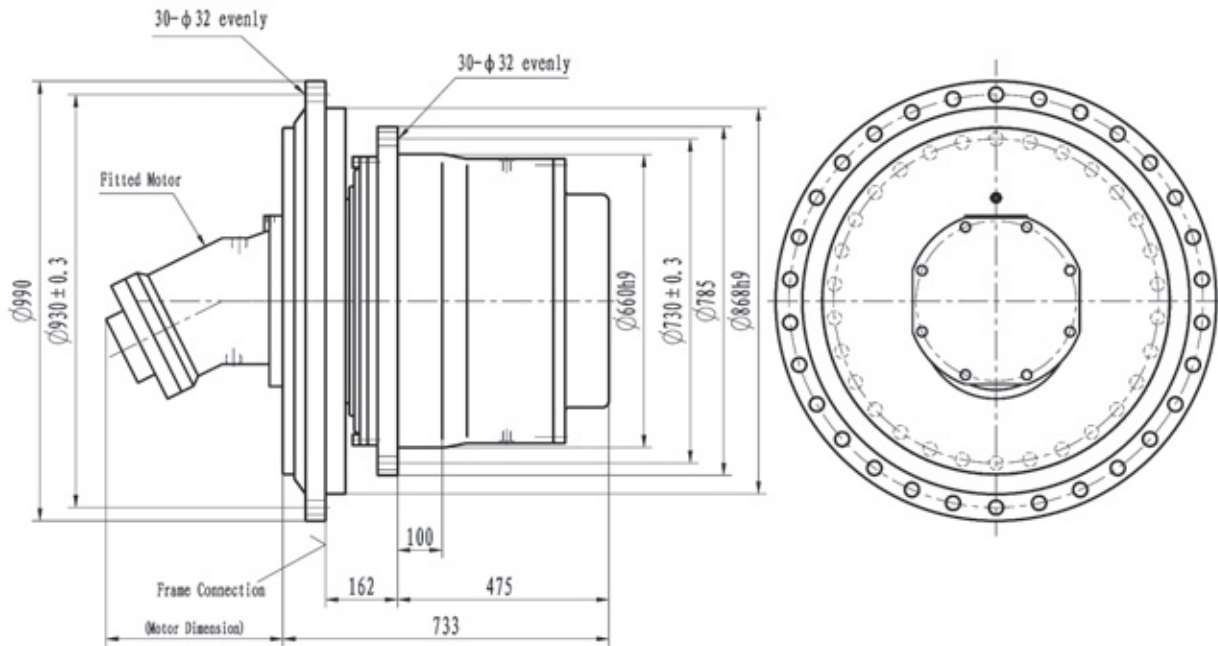


Technical Data

Output Torque T_{max} Nm	Ratio i	Hydraulic Motor	Max. Input Speed r/min	Braking Torque $T_{br. max.}$ Nm	Brake Press. MPa
330000	169.2 251.8 302.5 451.6 555.33	A2FE107	4000	800-1200	1.8-5
		A6VE107			
		A2FE125			
		A6VE160			
		A2FE160			
A6VE250					
A2FE180					
A6V250					
A2FE250					

· Gearbox input direction is contra to the output direction.
 · Allowed output speed (No indicated in catalog) is subject to variation with actual application.
 · Differently sized units and additional design variants can be furnished if so requested.

Dimensions

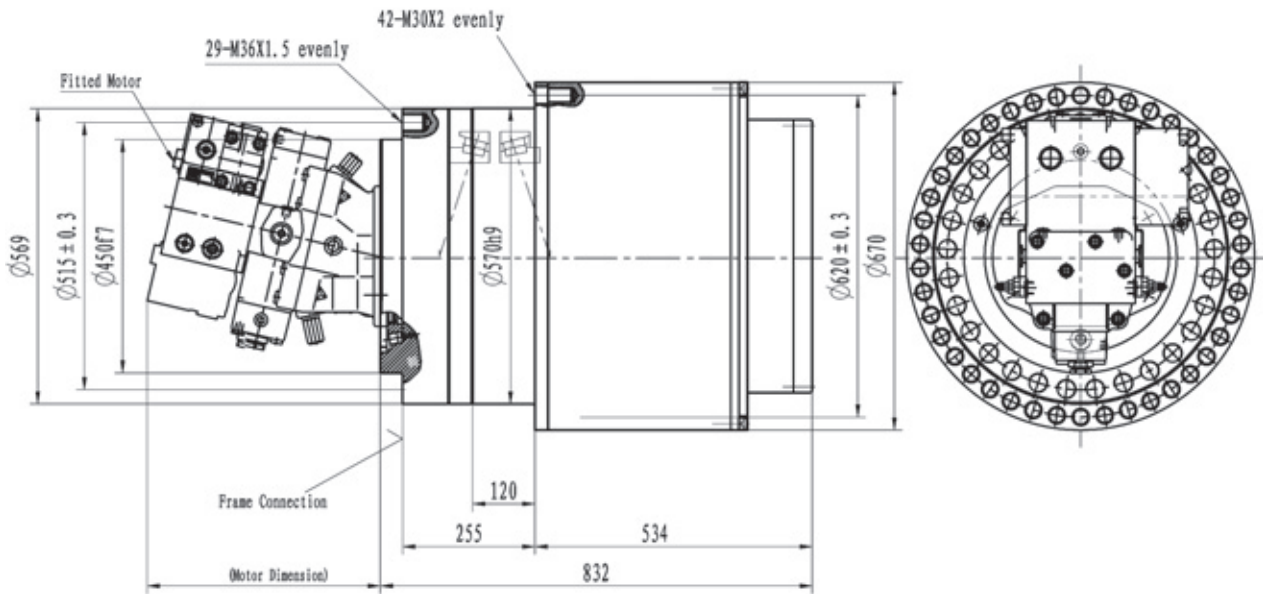


Technical Data

Output Torque T_{max} Nm	Ratio i	Hydraulic Motor	Max. Input Speed r/min	Braking Torque $T_{br max}$ Nm	Brake Press. MPa
330000	88.3	A2FE125	4000	800-1200	1.8-5
	105.1	A6VE107			
	114	A2FE160			
	169.2	A6VE160			
	251.8	A2FE180			
302.5	A6VE250				
451.6	A2FE250				
	555.33	A2FMS00			
		A6V250			

- Gearbox input direction is contra to the output direction.
- Allowed output speed (No indicated in catalog) is subject to variation with actual application.
- Differently sized units and additional design variants can be furnished if so requested.

Dimensions

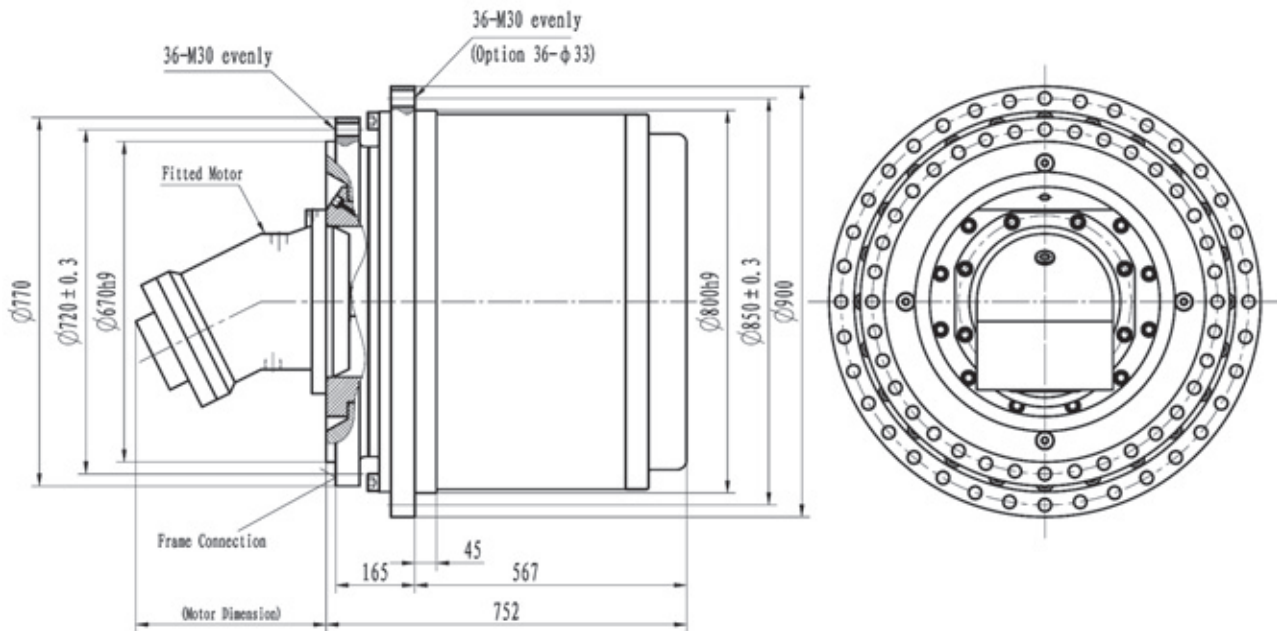


Technical Data

Output Torque T_{max} Nm	Ratio i			Hydraulic Motor		Max. Input Speed r/min	Braking Torque $T_{br max}$ Nm	Brake Press. MPa
440000	275.34	308.2	352.68	A2FM160 A2FM250	A6VM160 A6VM250	2000	1200-2500	1.8-5

- Gearbox input direction is contra to the output direction.
- Allowed output speed (No indicated in catalog) is subject to variation with actual application.
- Differently sized units and additional design variants can be furnished if so requested.

Dimensions



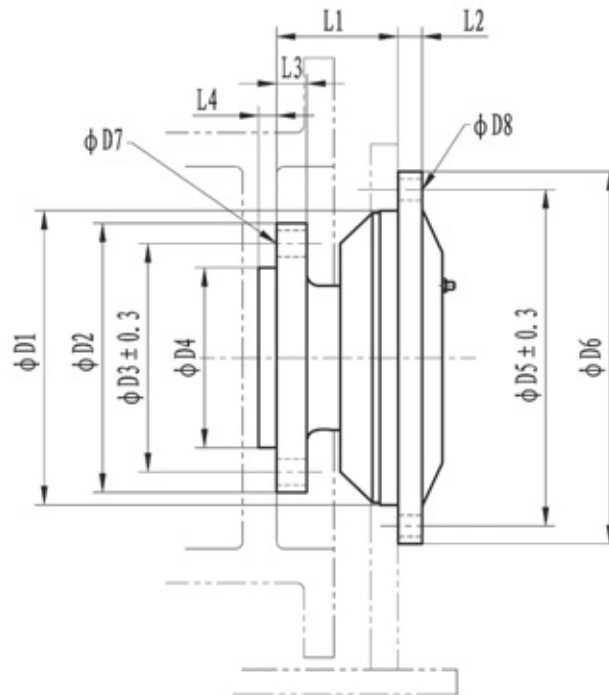
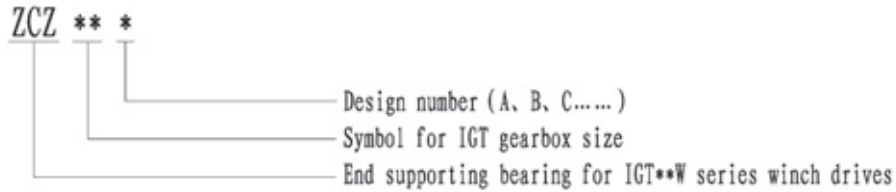
Technical Data

Output Torque T_{max} Nm	Ratio i			Hydraulic Motor	Max. Input Speed r/min	Braking Torque $T_{Br max}$ Nm	Brake Press. MPa
550000	129.2	146.8	175.3	A2FM250 A2FM355 A2FM500	2000	1200-3600	1.8-5

- Gearbox input direction is contra to the output direction.
- Allowed output speed (No indicated in catalog) is subject to variation with actual application.
- Differently sized units and additional design variants can be furnished if so requested.

End Supporting Bearing

Model Options



Dimensions

Model	D1	D2	D3	D4	D5	D6	D7	D8	L1	L2	L3	L4	Gearbox Size
ZCZ17A	175f7	156	130	100j6	200	225	8-φ13	6-φ11	111	15	15	10	IGT13W IGT17W
ZCZ17A	200h7	199	170	140j6	230	260	12-φ18	12-φ14	155	18	20	10	IGT26W IGT36W
ZCZ17B	200f7	175	145	115j6	230	260	8-φ18	8-φ18	91	15	20	10	
ZCZ80A	225h7	224	190	150j6	260	290	8-φ22	8-φ18	101	20	25	15	IGT60W IGT80W
ZCZ110A	225j6	204	170	140j6	260	290	12-φ22	12-φ18	170	20	25	15	IGT110W IGT220W